

1430 CASE PANEL FRAME MOUNTING INSTRUCTIONS

Kit Includes:

- Panel Frame

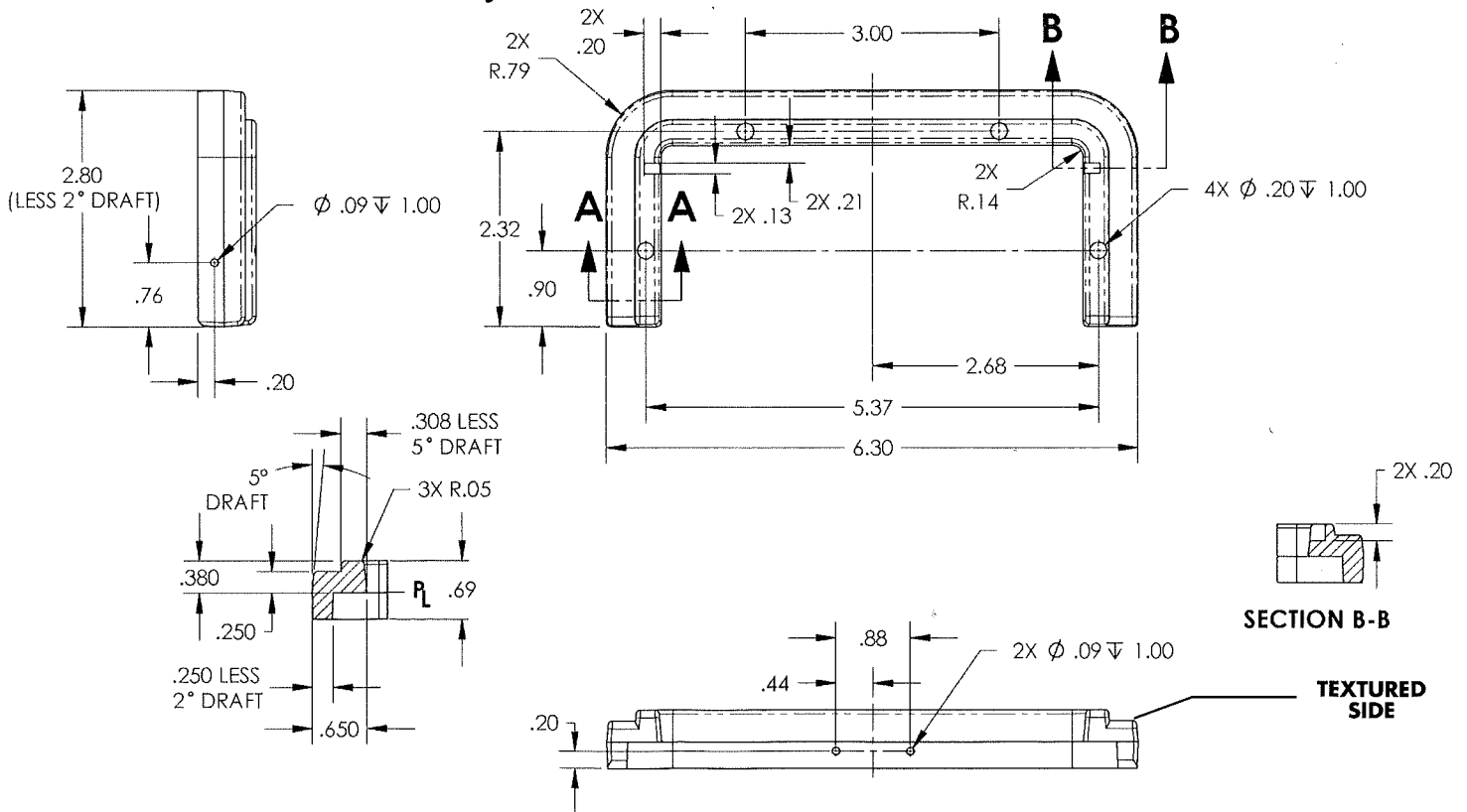
- Brass Inserts

6-32 X 1/4 Thread (M3.5 x 6.3mm)

- Mounting Screws

- Instruction Sheet

1. The Panel frame halves are interchangeable from one side to the other so they do not have "Left" or "Right."
2. To install the brass inserts, place the frames textured face down. Place the non-shoulder small end of the insert into the hole and push in with a Phillips screwdriver until fully seated on the shoulder.
3. To secure the frames to the case, install the frames into the case until fully seated on the internal ribs. Next, insert a mounting screw (supplied with kit) into the hole and press firmly as you turn the screwdriver to start self-tapping. Continue to turn until fully seated or use a 90° drill motor.



PROTECTOR CASES

23215 Early Avenue, Torrance, California 90505